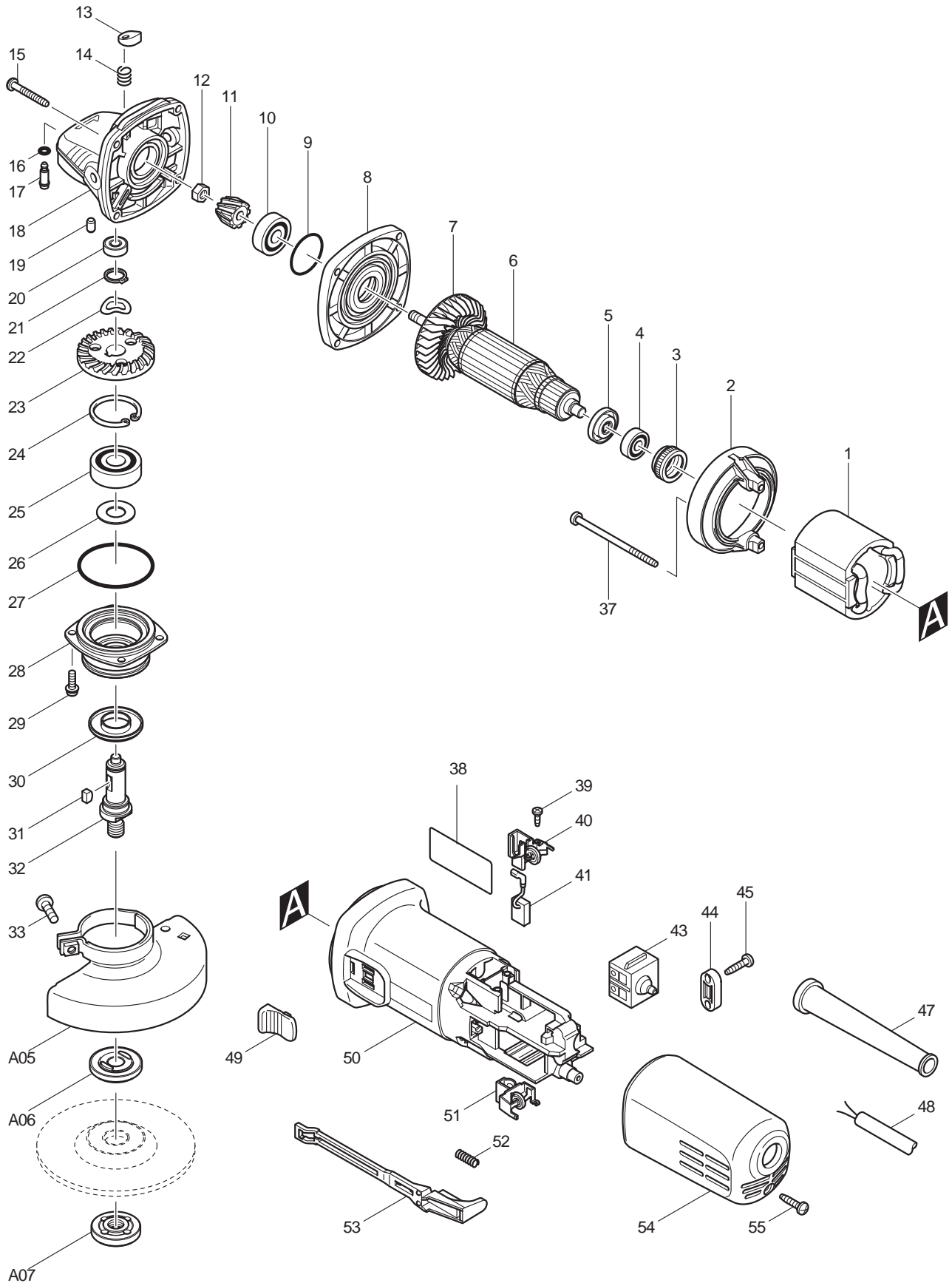




02 - 2009
9557NB
4-1/2" DISC GRINDER AS/DC



Item N	Type	Ref	Part No	Description	Qty	Unit
001			621706-3	FIELD 115V	1	PC.
002	2		457791-8	BAFFLE PLATE	1	PC.
003			421868-5	LABYRINTH RUBBER RING 19	1	PC.
004			210034-7	BALL BEARING 607LLB	1	PC.
005	2		681636-0	INSULATION WASHER	1	PC.
006			515611-3	ARMATURE ASS'Y 115V	1	PC.
		INC.		Item No. 4,5,7		
007			240076-7	FAN 56	1	PC.
008			317821-6	GEAR HOUSING COVER	1	PC.
009			213445-5	O-RING 26	1	PC.
010	3		210042-8	BALL BEARING 629LLB	1	PC.
011	1		227464-5	SPIRAL BEVEL GEAR 10 (SINTERING)	1	PC.
	2		227541-3	SPIRAL BEVEL GEAR 10 (MACHINED)	1	PC.
012			252186-8	HEX. NUT M6	1	PC.
013			417771-6	PIN CAP	1	PC.
014			233376-2	COMPRESSION SPRING 8	1	PC.
015			266361-0	TAPPING SCREW 4X30	4	PC.
016			213960-9	O RING 5	1	PC.
017			256486-8	SHOULDER PIN 4	1	PC.
018	1		317814-3	GEAR HOUSING	1	PC.
	2		318051-2	GEAR HOUSING	1	PC.
019			263002-9	RUBBER PIN 4	1	PC.
020			210033-9	BALL BEARING 696ZZ	1	PC.
021			961052-5	RETAINING RING S-12	1	PC.
022			267794-2	WAVE WASHER 12	1	PC.
023	2		227505-7	* SPIRAL BEVEL GEAR 37 (SINTERING)	1	PC.
	3		227542-1	* SPIRAL BEVEL GEAR 37 (MACHINED)	1	PC.
024			962151-6	RETAINING RING R-32	1	PC.
025			211129-9	BALL BEARING 6201DDW	1	PC.
026			267238-2	FLAT WASHER 12	1	PC.
027			213622-9	O RING 45	1	PC.
028	1		317819-3	* BEARING BOX	1	PC.
	2		318331-6	* BEARING BOX	1	PC.
029			265099-4	PAN HEAD SCREW M4X14	4	PC.
030			345464-4	LABYRINTH RING	1	PC.
031			254011-9	WOODRUFF KEY 4	1	PC.
032			324474-4	SPINDLE	1	PC.
033	1		265103-9	* PAN HEAD SCREW M5X14	1	PC.
	2		251391-4	* PAN HEAD SCREW M5X16	1	PC.
	3		265180-1	* PAN HEAD SCREW M5X16	1	PC.
037			266345-8	TAPPING SCREW 4X80	2	PC.
038			861255-0	NAME PLATE FOR 9557NB	1	PC.
039			266007-8	TAPPING SCREW BIND PT 3X10	4	PC.
040			643760-7	BRUSH HOLDER	1	PC.
041	2		195001-2	CARBON BRUSH CB-325 2PC/SET (W/ ORIGIN)	1	SET
042			418729-8	SPACER	1	PC.
043	2		650579-7	SWITCH 1246.3223, SINGLE, BROWN	1	PC.
	2		687123-7	STRAIN RELIEF (OLD# 687052-4)	1	PC.
045			266326-2	TAPPING SCREW 4X18	2	PC.
047			682559-5	CORD GUARD 8	1	PC.
048			664895-1	CORD W/PLUG 2P-18-4.0M, SJ	1	PC.
049	2		419566-3	* SWITCH KNOB	1	PC.



Item N	Type	Ref	Part No	Description	Qty	Unit
050	2		143990-5	MOTOR HOUSING COMPLETE	1	PC.
051			643760-7	BRUSH HOLDER	1	PC.
052			233121-5	COMPRESSION SPRING 4	1	PC.
053			418727-2	SWITCH LEVER	1	PC.
054			418726-4	REAR COVER	1	PC.
055			266326-2	TAPPING SCREW 4X18	1	PC.
056			892295-7	CLEAR LABEL	1	PC/
C01			846895-5	CARTON F/9557NB	1	PC.

ACCESSORIES - See Catalogue or visit www.makita.ca for other optional accessories -

A01			153489-2	GRIP 36 COMPLETE (Resin Grip)	1	PC.
	Opt.		194514-0	VIBRATION PROOF GRIP F/4" - 6", PKG	1	PC.
A02	2		782424-9	LOCK NUT WRENCH 28	1	PC.
A03	2		D-20781	4 1/2" DEPRESSED CENTER WHEEL A24R	1	PC.
	3		A-95956-25	4-1/2" D.C.G.W WA36N 25/PK	1	SET
	Opt.		A-80640	4 1/2" DEPRESSED CENTER WHEEL WA36N	1	PC.
A04			824736-5	PLASTIC CARRYING CASE	1	PC.
		INC.	182935-8	SLIDE LATCH (R.L) SET	1	PC.
A05	2		125890-1	* WHEEL COVER 115A ASS'Y FOR 4-1/2" D.C.W	1	PC.
		INC.		Item No. 33		
	3		123735-7	* WHEEL COVER 115AK ASS'Y FOR 4-1/2" D.C.W	1	PC.
		INC.	213009-5	* O RING 4	1	PC.
		INC.		* Item No. 33		
		INC.	803044-7	* CAUTION LABEL	1	PC.
A06			224399-1	INNER FLANGE 45	1	PC.
A07			224568-4	LOCK NUT 5/8-45	1	PC.
A08			743036-3	RUBBER PAD F/4-1/2" GRINDER	1	PC.
A09			193048-0	SANDING LOCK NUT 5/8 - 48 PACKAGED	1	PC.
A10	1		122642-1	* CUT-OFF WHEEL GUARD F/4-1/2"	1	PC.
	2		122910-2	* CUT-OFF WHEEL GUARD F/4-1/2"	1	PC.

SERVICE CHANGES

1. Changes on Switch Knob

Item No.	Description	Type 1	Type 2
49	Switch Knob	418769-6	419566-3
			

2. Changes on Spiral Bavel Gear

Item No.	Description	Type 1 (Sintering)	Type 2 (Machined)
23	Spiral Bevel Gear 37	227505-7	227542-1
11	Spiral Bevel Gear 11	227464-5	227541-3

Above parts are completely interchangeable as a set.

3. Changes on Wheel Cover Assembly and Bearing Box

Item No.	Description	(TI#A4621)		(TI#B2119)
		Type 1	Type 2	Type 3
28	Bearing Box	317819-3		318331-6
33	Pan Head Screw M5X14 >Pan Head Screw M5X16	265103-9	251391-4	265180-1
A05	Wheel Cover Assy	125273-5	125890-1	123735-7
A05 Inc.	O RING 4	-----		213009-5
A10 Opt.	CUT-OFF WHEEL GUARD F/4-1/2"	125273-5		122910-2

Above parts are completely interchangeable as a set.

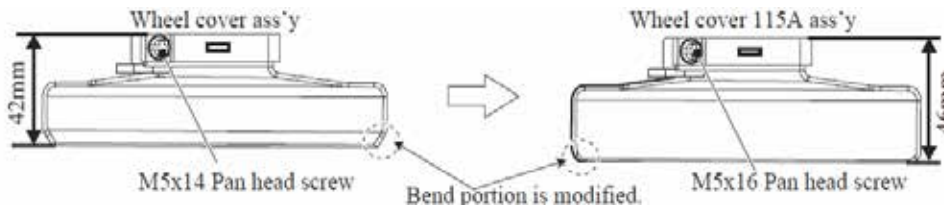
Type 1

Type 2

Wheel Cover

(125273-5)

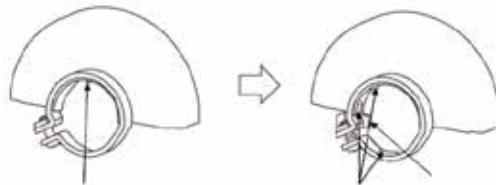
(125890-1)



Type 2 - single notch

Type 3 - 3 notches

Wheel Cover



Bearing Box

